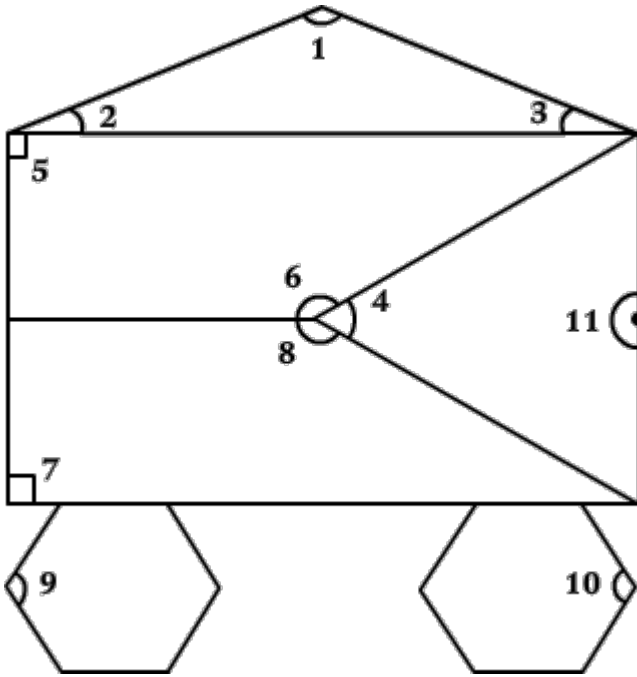


Types of Angles Part 2

Look at the given figure and identify the type of ?2.

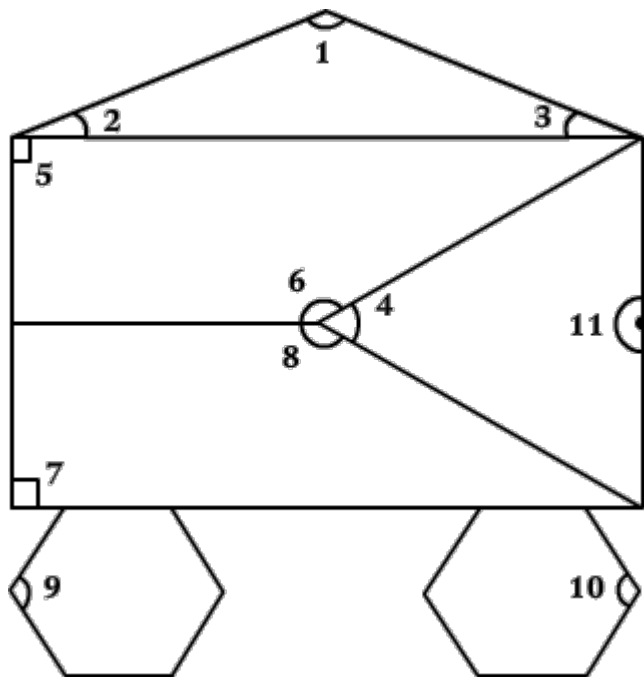
1.



angle

Look at the given figure and identify the type of ?1.

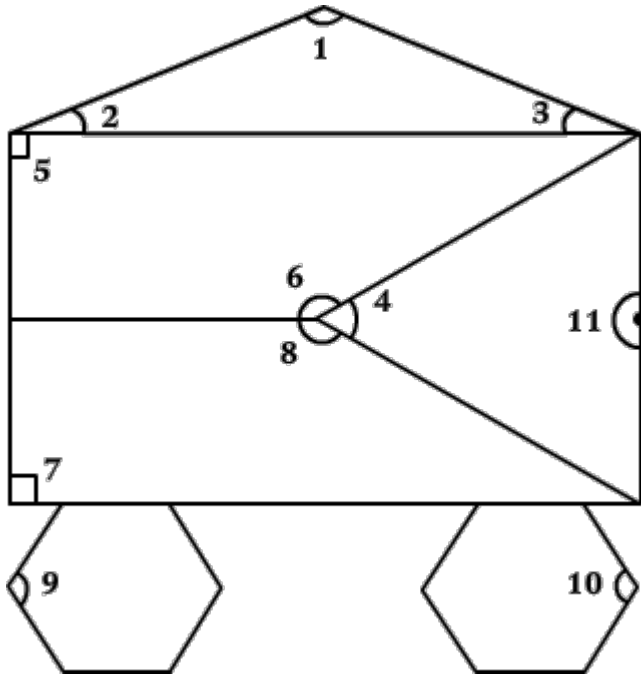
2.



angle

Look at the given figure and identify the type of ?7.

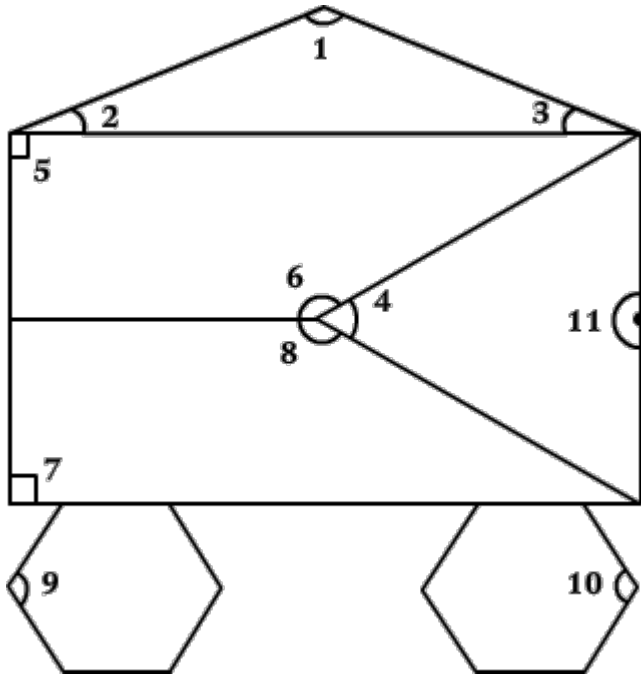
3.



angle

Look at the given figure and identify the type of ?11.

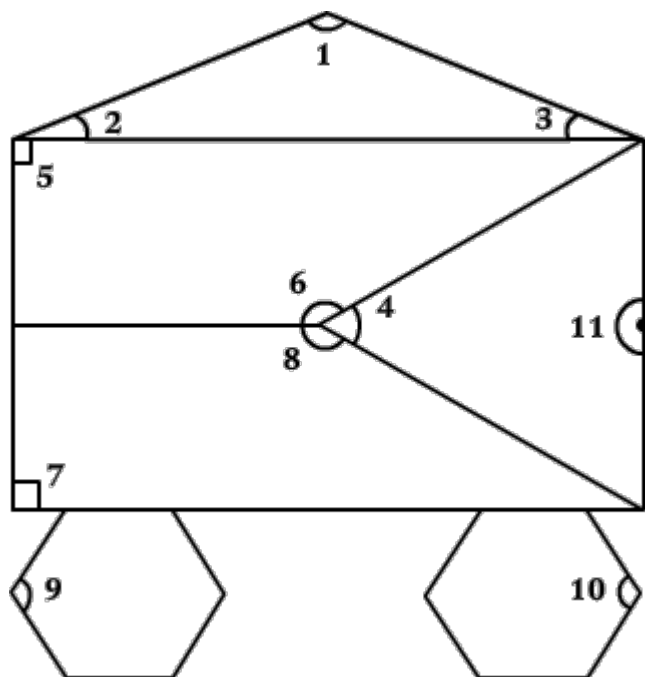
4.



angle

Look at the given figure and identify the type of ?3.

5.



angle

Identify the type of angle formed between the hands of the given clock.

6.



9:15

angle

7.



3:30

angle

8.



10:00

angle

9.



1:15

angle

10.



2:20

angle

11.



9:00

angle

12.



10:30

angle

13.

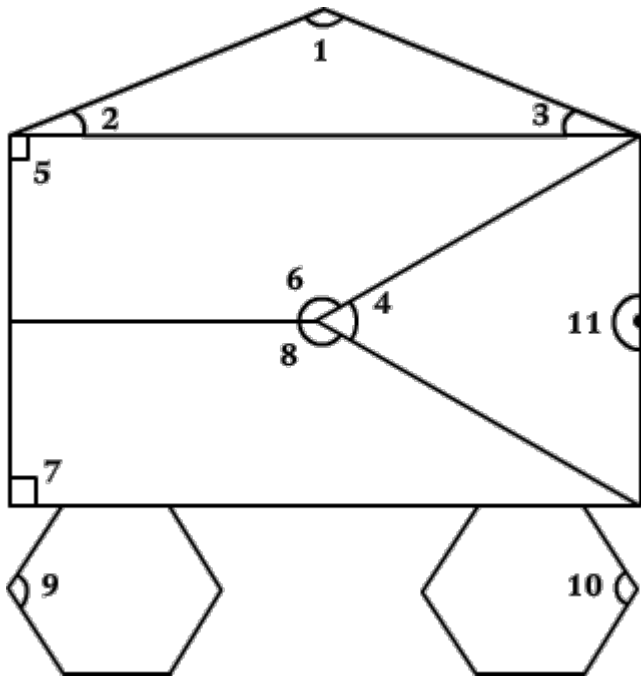


6:00

angle

Look at the given figure and identify the type of ?4.

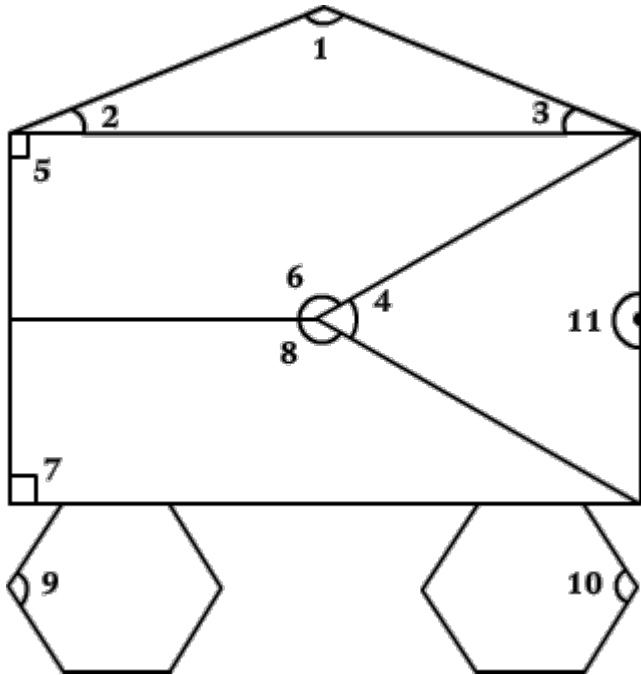
14.



angle

Look at the given figure and identify the type of ?6.

15.



angle